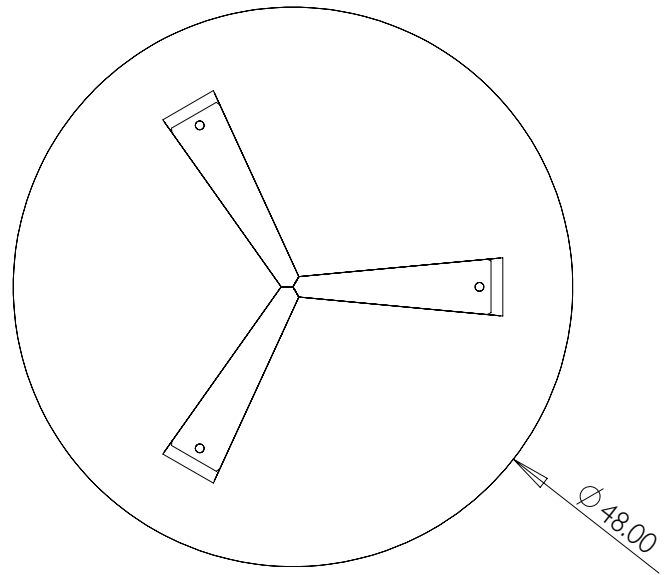
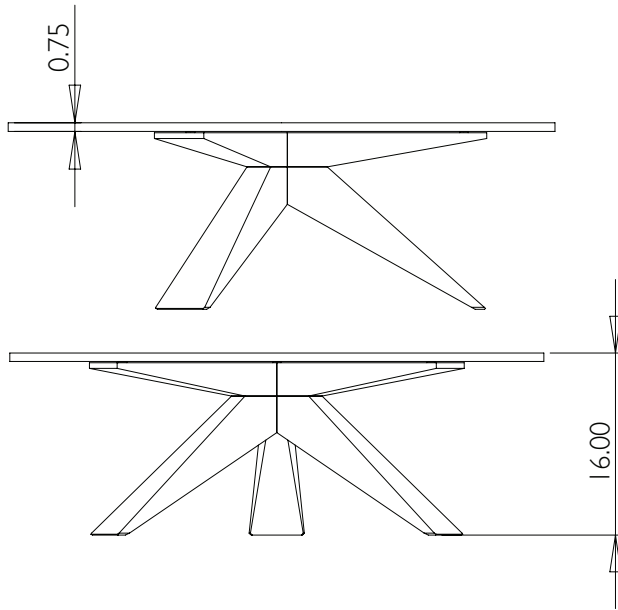




Propeller / 48



FURNITURE SPECIFICATIONS

MODEL: Propeller / 48

FUNCTION: Coffee table

STANDARD DIMENSIONS: 48" DIA x 16" H

FEATURES + CONSTRUCTION: Premium quality .75" glass top featuring flat polished eased edges. Solid hardwood base using mortise & tenon and spline joinery.

STANDARD WOODS + FINISHES: Ash/Natural, Cherry/Natural, Walnut/Medium

OPTIONS: No custom options.

Designed by Sherwood Hamill and handcrafted to order in our furniture shop in Portland, Maine.

Available in custom dimensions, woods and finishes. Each Propeller coffee table is made to order. Contact us at **800.255.9454** to discuss custom options.