

Swell / Narrow

angela adams

---



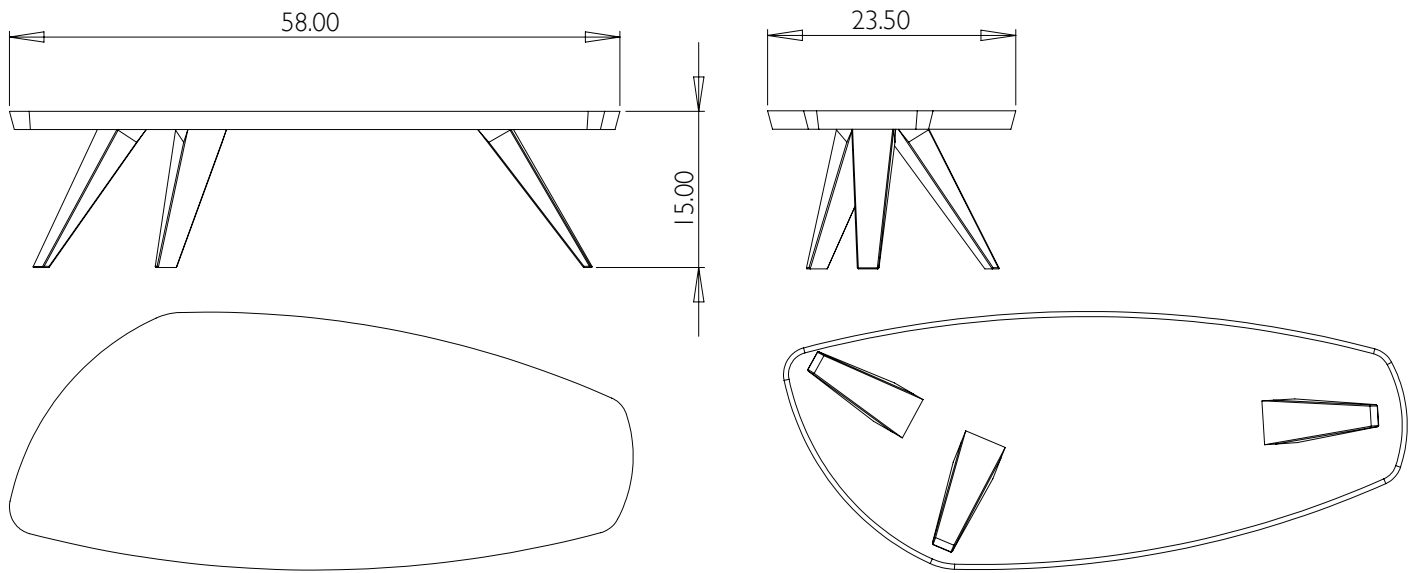
---

STUDIO SHOWROOM | FURNITURE SHOP | OFFICE: 71 Cove Street, Portland, Maine | 800.255.9454 | [angelaadams.com](http://angelaadams.com)

---

© *angela adams*

## Swell / Narrow



## FURNITURE SPECIFICATIONS

**MODEL:** Swell / Narrow

**FUNCTION:** Coffee table

**STANDARD DIMENSIONS:** 58" W x 23.5" D x 15" H

**FEATURES + CONSTRUCTION:** Biomorphic three leg coffee table built from selected North American hardwoods, 1-3/4" top thickness, elegant edge detailing and mortise & tenon leg joinery.

**STANDARD WOODS + FINISHES:** Ash/Natural, Ash/Amber, Ash/Ebonized, Ash/Bleached, Cherry/Natural, Walnut/Medium

**OPTIONS:** Customizable dimensions, woods, and finish.

Designed by Sherwood Hamill and handcrafted to order in our furniture shop in Portland, Maine.

Available in custom dimensions, woods and finishes. Each Swell coffee table is made to order. Contact us at **800.255.9454** to discuss custom options.