

Bonfire Double

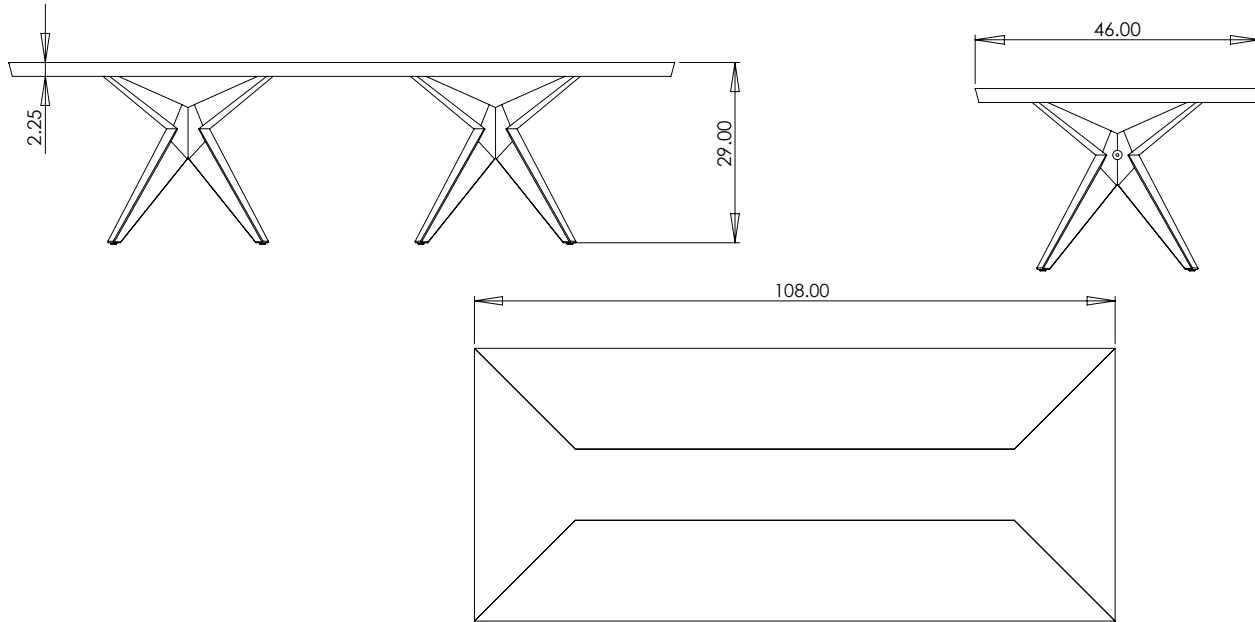
angela adams



STUDIO SHOWROOM | FURNITURE SHOP | OFFICE: 71 Cove Street, Portland, Maine | 800.255.9454 | angelaadams.com

© *angela adams*

Bonfire Double



FURNITURE SPECIFICATIONS

MODEL: Bonfire Double Base

FUNCTION: Double base rectangular dining table

STANDARD DIMENSIONS: 108" W x 46" D x 29" H

FEATURES + CONSTRUCTION: Built from the finest North American woods and veneers available. Featuring a two piece torsion box top construction, solid wood edge detail, and thick top patterned veneer. The two Bonfire bases are constructed in solid wood with mortise & tenon joinery.

STANDARD WOODS + FINISHES: Ash/Natural, Ash/Amber, Ash/Ebonized, Ash/Bleached, Cherry/Natural, Walnut/Medium

OPTIONS: Customizable dimensions, woods, and finish.

Designed by Sherwood Hamill and handcrafted to order in our furniture shop in Portland, Maine.

Available in custom dimensions, woods and finishes. Each Bonfire Double Base dining table is made to order. Contact us at **800.255.9454** to discuss custom options.